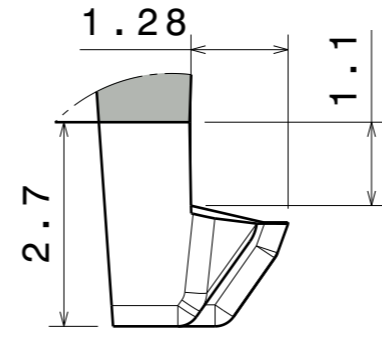
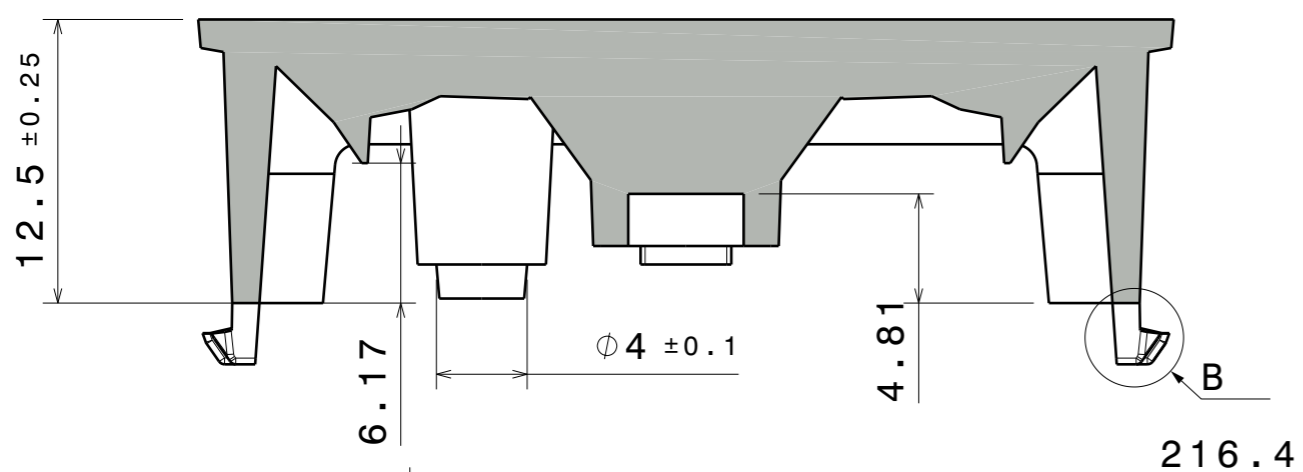
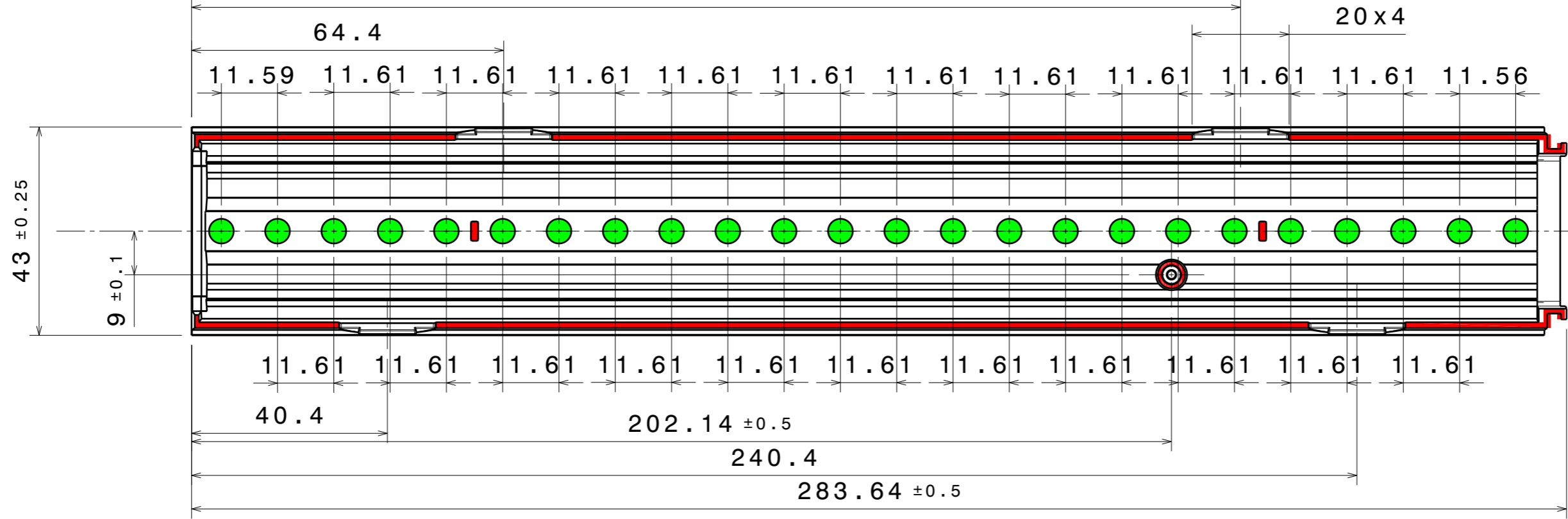
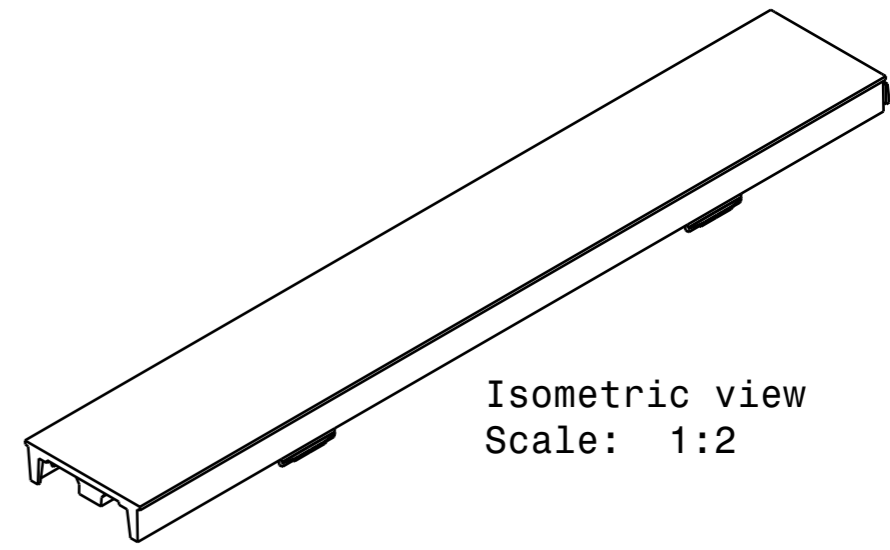


Section view A-A
Scale: 3:1



Detail B
Scale: 10:1



PART	TYPE	MATERIAL	COLOR / COATING
F17164_LINNEA-GC2-110	LENS	PMMA	Clear

MECHANICAL DRAWING	
PRODUCT	LINNEA-G2
Plastic moulding general tolerances according to DIN 16901-130 and applies if not otherwise shown in the drawing. Silicone moulding general tolerances according to ISO 3302-1 Class M3 and applies if not otherwise shown in the drawing.	FIRST ANGLE PROJECTION:
SCALE 1:1	WEIGHT -

LEDiL®

This drawing is the property of LEDiL Oy. It may not be copied or otherwise distributed without prior written permission from LEDiL Oy.

A3 SHEET 1/2

Notes

	PCB or heatsink level.
	LED location
	Ensure LED fitting from a product specific 3D model available from www.ledil.com
	For more details about installation please see LEDiL Installation Guide on www.ledil.com

4

4

3

3

2

2

1

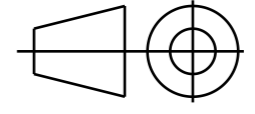
1

Reference PCB



C17164 LINNEA-GC2-110

Light pattern direction

PART	TYPE	MATERIAL	COLOR / COATING
F17164 LINNEA-GC2-110	LENS	PMMA	Clear

MECHANICAL DRAWING		LEDiL[®]
PRODUCT LINNEA-G2		
Plastic moulding general tolerances according to DIN 16901-130 and applies if not otherwise shown in the drawing. Silicone moulding general tolerances according to ISO 3302-1 Class M3 and applies if not otherwise shown in the drawing.	FIRST ANGLE PROJECTION: 	This drawing is the property of LEDiL Oy. It may not be copied or otherwise distributed without prior written permission from LEDiL Oy.
SCALE 1:1	WEIGHT -	
		A3 SHEET 2/2

Notes

	PCB or heatsink level.
	LED location
	Ensure LED fitting from a product specific 3D model available from www.ledil.com
	For more details about installation please see LEDiL Installation Guide on www.ledil.com